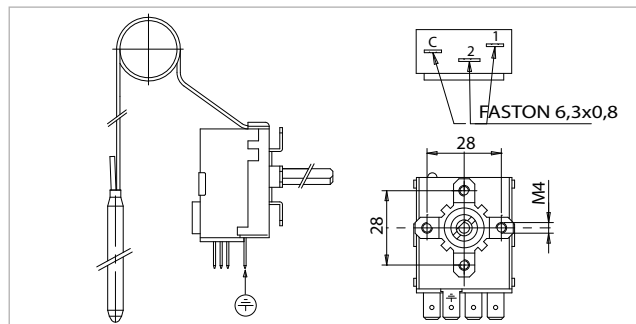


# TR2

CAPILLARY REGULATION THERMOSTAT



TR2 is a liquid expansion capillary thermostat, unipolar, with changeover switches, particularly suitable for automatic temperature regulation for appliances in the field of civil and industrial heating, air conditioning and household appliances such as boilers, washing machines, dishwashers, etc.

Electrical contact capacity = NC 16(6) / A 250 Vac  
 Switches = changeover  
 Max. head temperature = 85°C  
 Min. capillary curvature radius = 5 mm  
 Connection = via faston 6,3x0,8  
 Certifications = CE, ENEC03, EAC, UL

Code	Article	Adjustable temperature °C	Capillary length mm	Bulb size mm	Pack.
540010	TR2 INAIL	0/+90	1000	6.5*95	100
540355	TR2 INAIL	0/+90	1500 PVC	6.5*95	100
541307	TR2 INAIL CUTTING SCREW	0/+90	1500	6.5*95	100
540043	TR2	-30/+35	1000	6*215	100
540030	TR2	0/+40	1000	9.5*92	100
540160	TR2	0/+120	1000	6.5*95	100
540673	TR2	0/+120	1500	7*90 M14*1	100
540140	TR2	+70/+210	1000	5*125	100
540020	TR2	+50/+300	1000	3.5*195	100

# KIT TR2

CAPILLARY REGULATION THERMOSTAT



KIT TR2 includes a TR2 with adjustable temperature range 0 to 90°C, capillary 1500 PVC, INAIL certified, complete with knob and dial.

Code	Article	Description	Pack.
5R0359	KIT TR2	Single package with TR2, knob and dial	10